

A

B

C

D

1

1

2

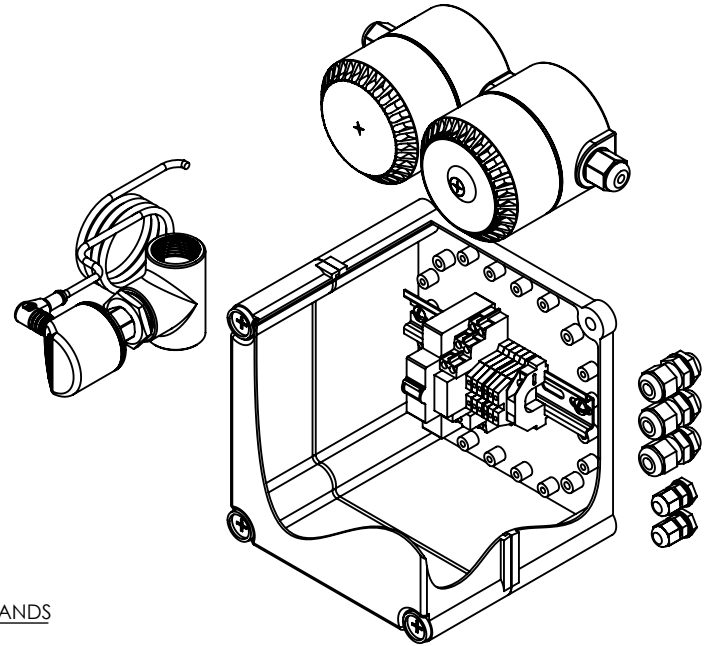
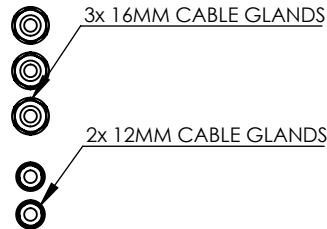
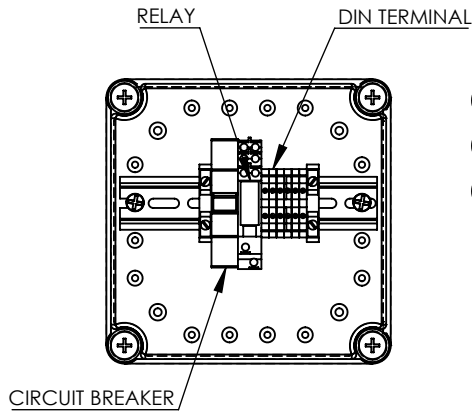
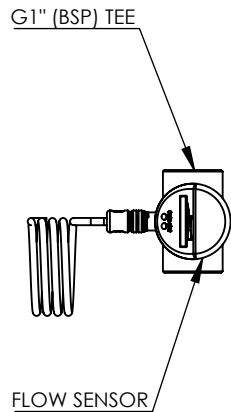
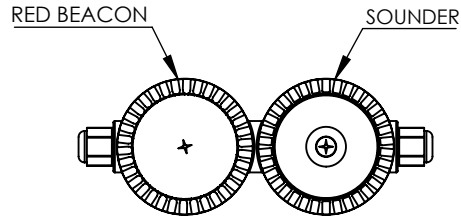
2

3

3

4

4



**NOTE:**

ALL WIRING INTERNAL AND EXTERNAL OF THE JUNCTION BOX TO BE DONE BY A LICENSED ELECTRICIAN



**GENERAL NOTES:**  
 - DIMENSIONS ARE IN mm's  
 - DO NOT SCALE OFF DIMENSIONS  
 - TAPWARE TOLERANCE  $\pm$  2 (EXCEPT WHERE STATED )  
 - SAFETY SANITARY AND CARE TOLERANCE  $\pm$  5 (EXCEPT WHERE STATED )

This drawing is the property of Enware Australia Pty Ltd and may not be reproduced in full or part without the written consent of Enware Australia.

DRAWN	IB
CHECKED	CL
APPROVED	LR



9 Endeavour Rd, Caringbah, NSW, 2229  
 Ph. +61 2 8536 4000  
 Fax. +61 2 8556 4055

DRAWING NUMBER: <b>EAA951</b>	REV <b>D.00</b>
TITLE: <b>AUDIO VISUAL/BACK TO BASE ALARM SYS 240V</b>	
FINISH:	SIZE: A4 SCALE: 1:5

A

B

C

D

A

B

C

D

1

1

2

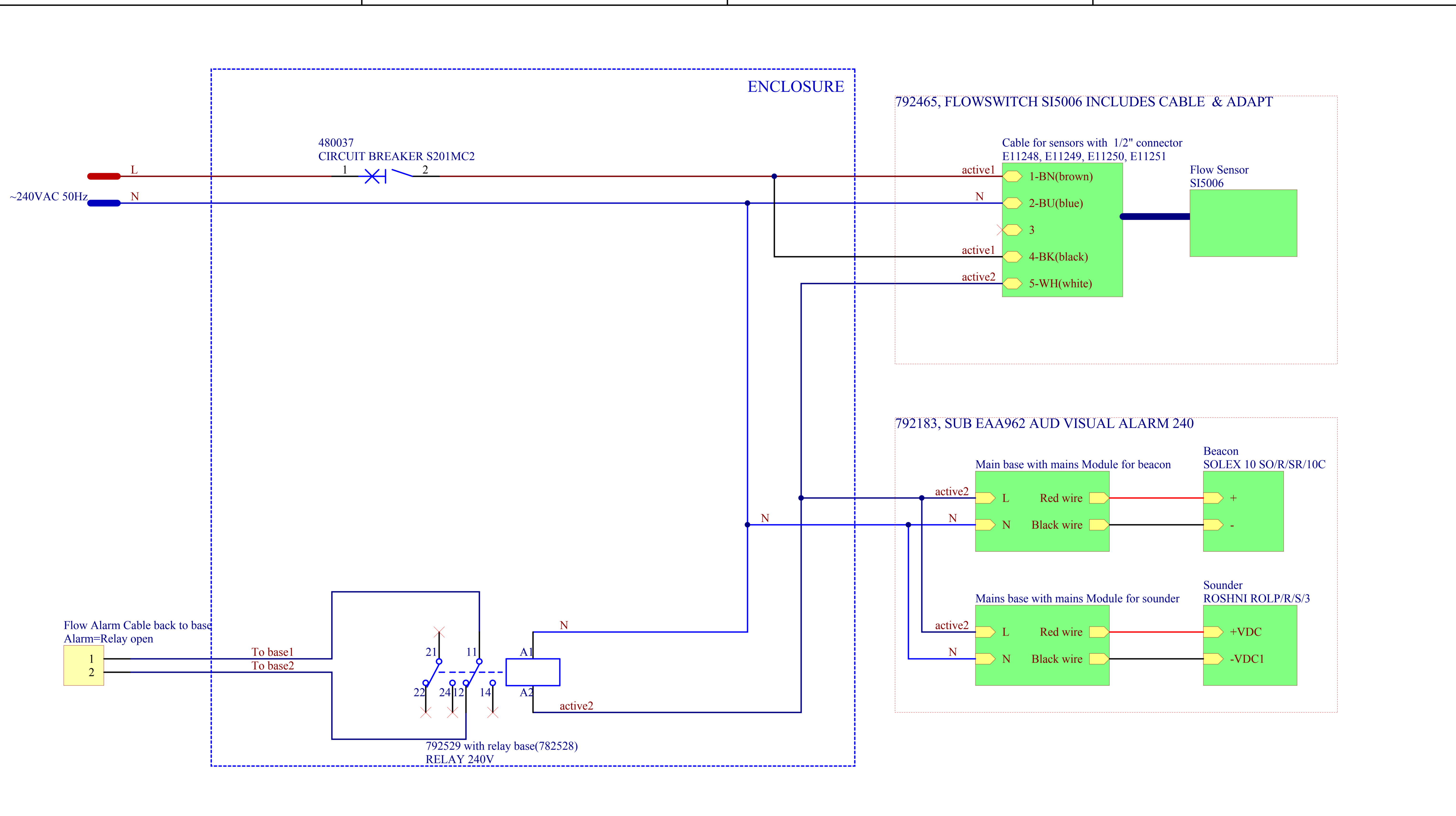
2

3

3

4

4



REVISION				DRAWN	JX	<p>9 Endeavour Rd, Caringbah, NSW, 2229 Ph. 61-2-9525-9511 Fax. 61-2-9524-8421</p>
REV	DATE	ECN	DESCRIPTION	CHECKED	JX	
				APPROVED	JX	
v1.2				JX		<p>Quality Endorsed Company AS/NZS ISO 9001 LIC No. 1213 Standards Australia</p>
<p>This drawing is the property of Enware Australia Pty Ltd and may not be reproduced in full or part without the written consent of Enware Australia.</p>						
<p>TITLE <b>WIRING DIAGRAM FOR EAA951</b> (AUDIO VISUAL/BACK TO BASE ALARM SYS 240V)</p>						
<p>DRAWING NUMBER <b>EAA951</b></p>						
<p>SIZE: A4</p>						1/1 SHEET: 1 OF 1

A

B

C

D